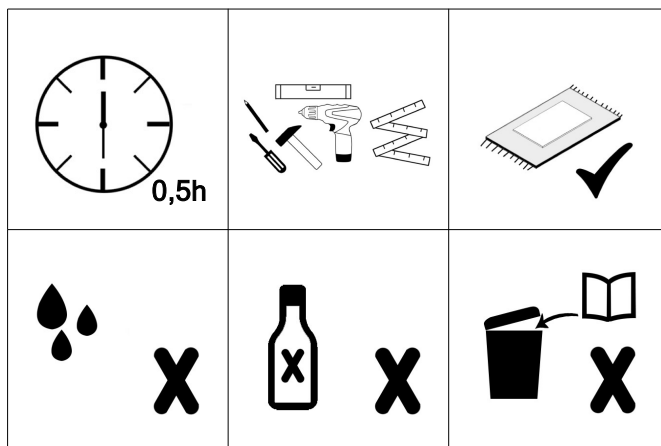
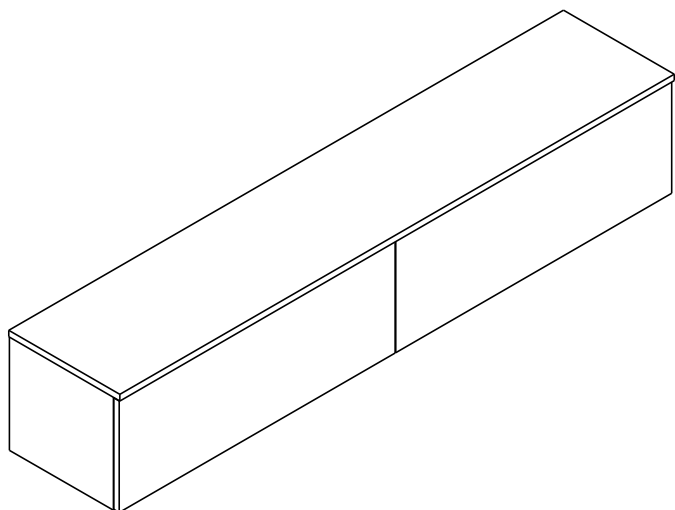
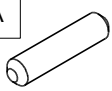
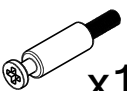

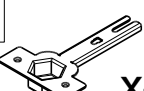
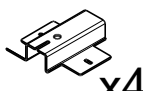
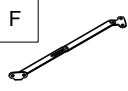
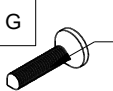
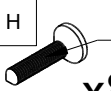
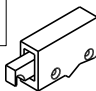

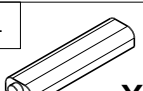
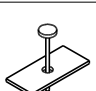

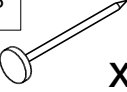
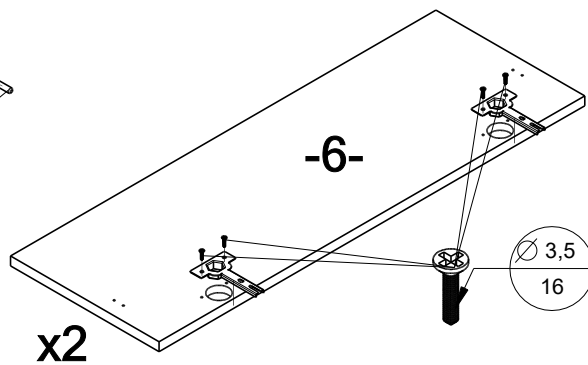
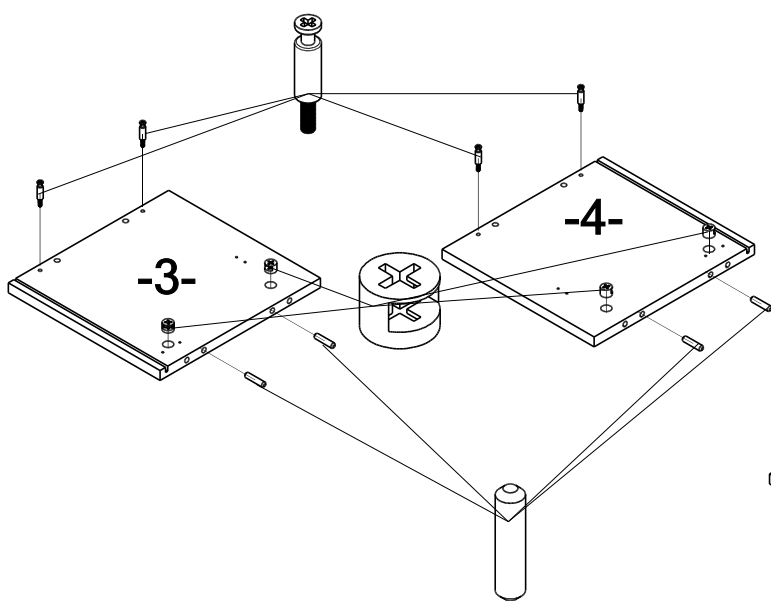
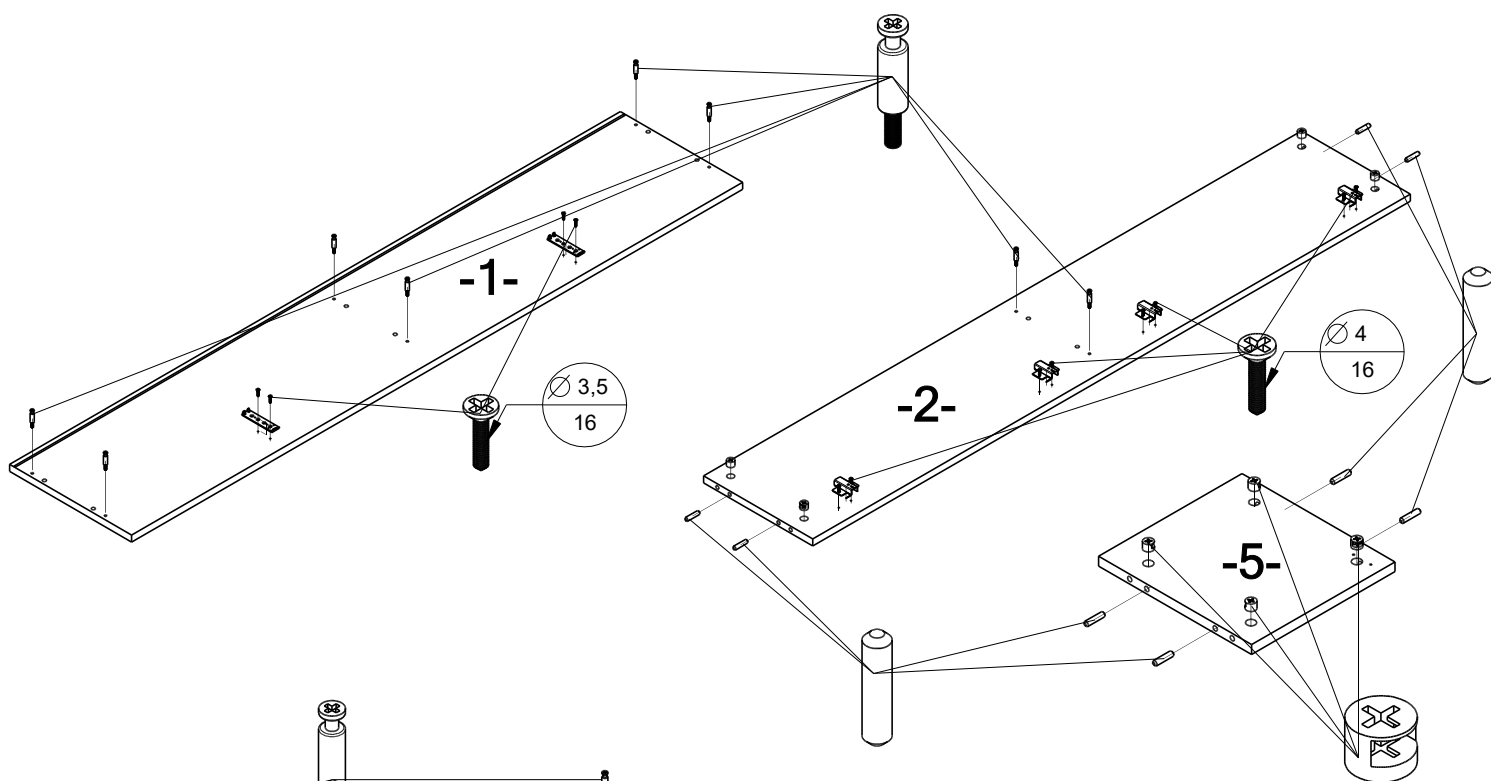
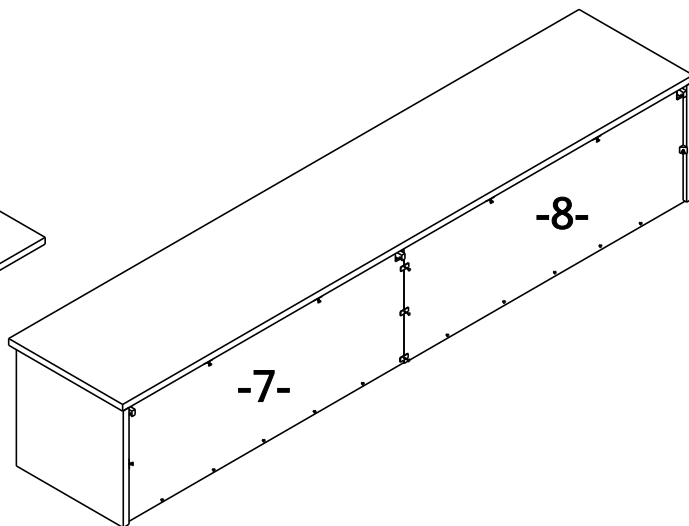
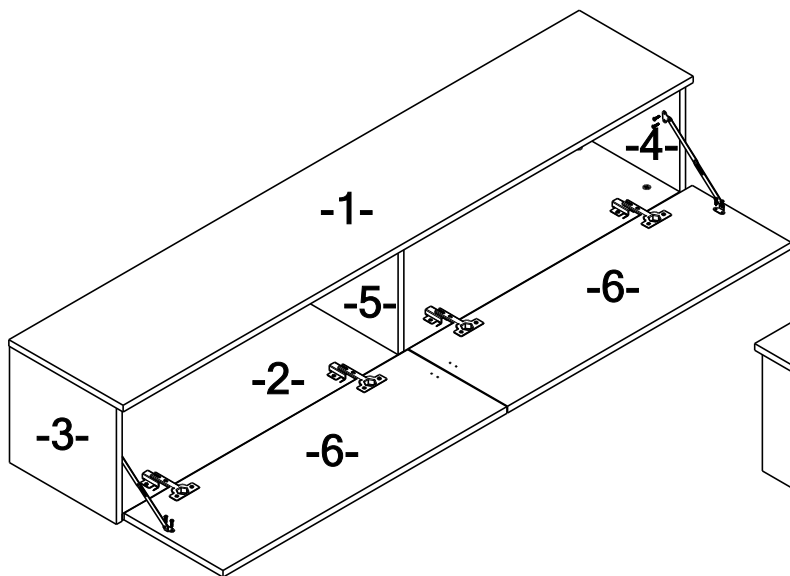


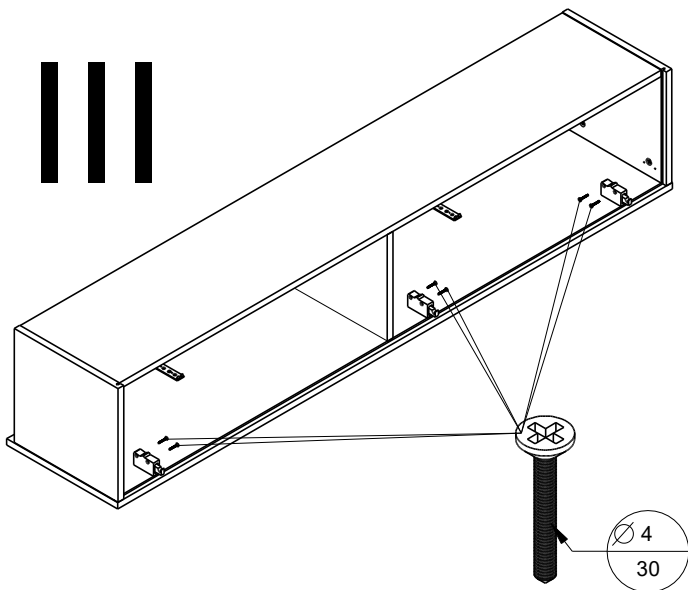
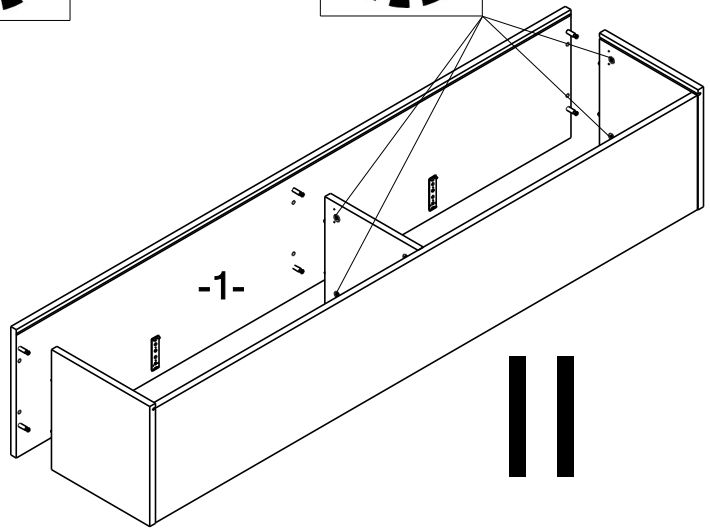
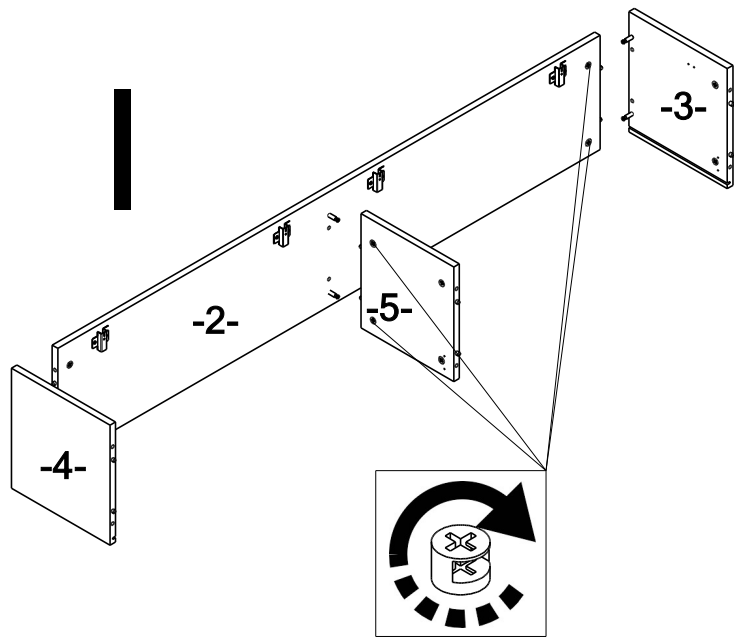
GOLD 160



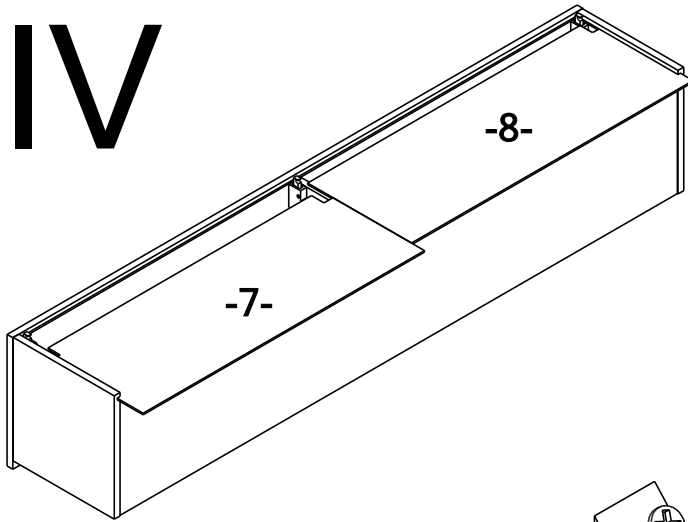
A  x12	B  x12	C  x12
D  x4	E  x4	F  x2
G  x20 $\varnothing 3,5$ 16	H  x8 $\varnothing 4$ 16	J  x3
K  x6 $\varnothing 4$ 30	L  x2	M  x3
N  x6	P  x10	

	WYMIARY ELEM.
-1-	1600x320
-2-	1566x300
-3-	284x300
-4-	284x300
-5-	268x286
-6-	2x 280x796
-7-	292x690
-8-	292x690

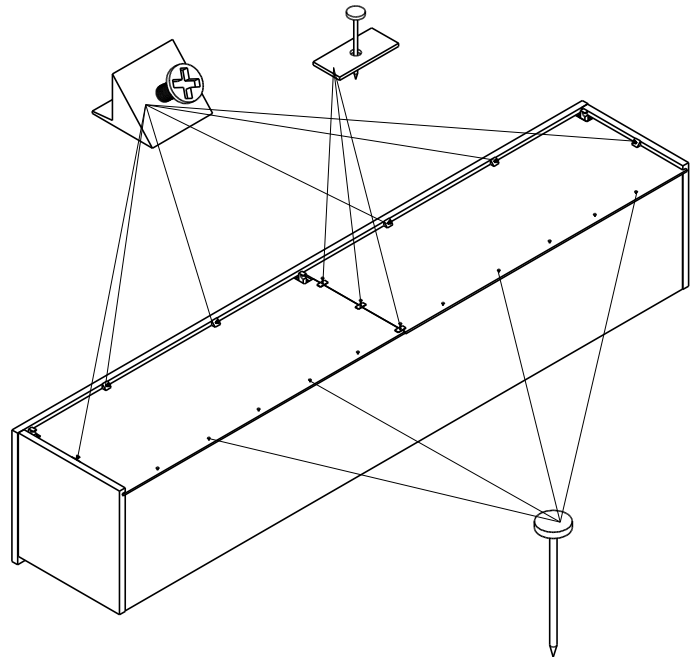
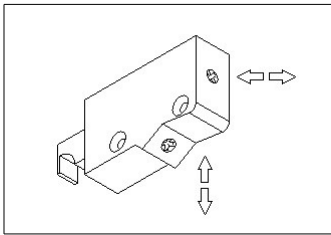




IV



V



VI

